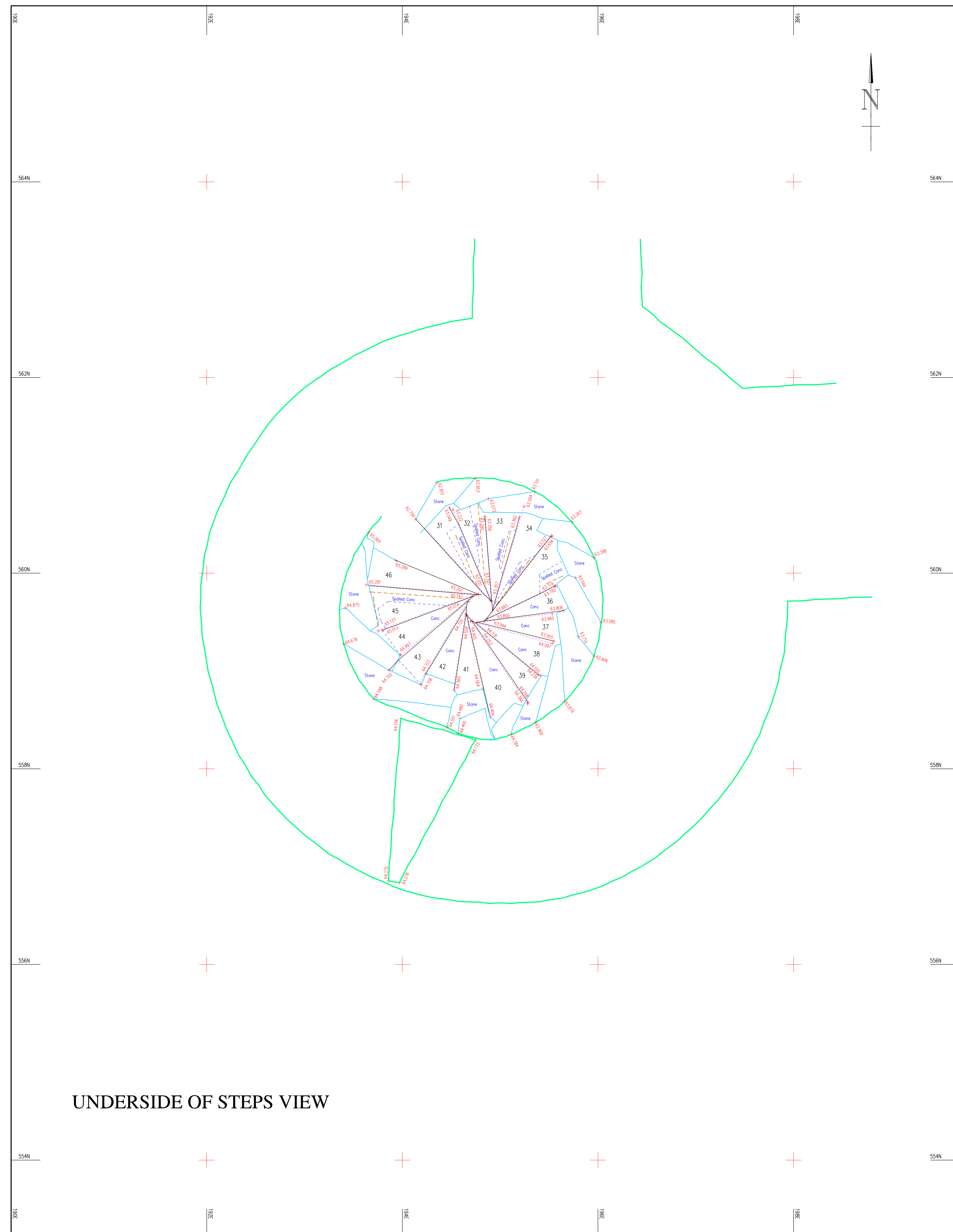


TOP OF STEPS VIEW



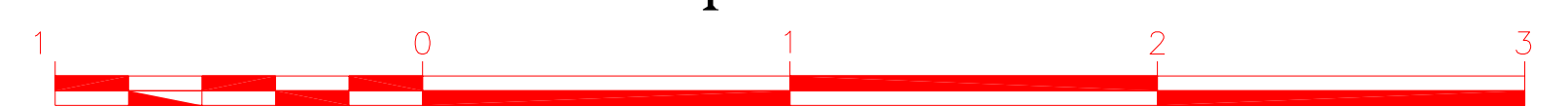
UNDERSIDE OF STEPS VIEW

HARLECH CASTLE
HARLECH
GWYNEDD

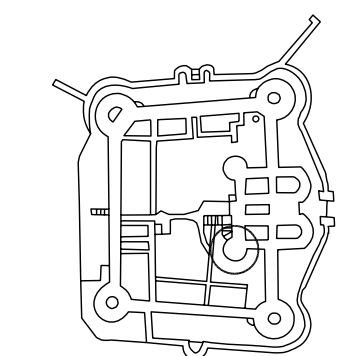
Legend	
	Top of step view
	Masonry Wall
	Change of step surface
	Top of step riser
	Base of step riser
	Damage to quoins stones
	Hand rope ring - Position taken at point of fixing to wall due to wall verticality ring may not appear on wall line.
	Underside of step view
	Masonry Wall
	Change of step surface
	Base of step riser
	Top of step riser
	Protruding masonry
	Exposed reinforcing

HARLECH CASTLE
GATEHOUSE SOUTH WEST TOWER

Steps 31 - 46



Site Plan



Site Bench Marks:
 Datum - CS09 Masonry pin shown on
 Dwg. S1490/78 & S1491/78 Supplied
 by client value 58.530m AOD.

Sheet Information:
 3 OF 10
 Monument Number:
 6220

Notes
 GRID
 Local plane metric
 Supplied by client.



Scale 1:20
 Date October 2005



Checked CN
 Dwg. No. 5618-3